

Foy's EPICS Events

Extrusion Production Information and Control System

May 2009 * Volume 13, Issue 2



IN THIS ISSUE

IN THIS ISSUE	1
DESPITE LOWER ATTENDANCE, CONFERENCE A GREAT SUCCESS	2
2010 CONFERENCE : BACK TO BASICS	2
EPICS V8.12 TO BE RELEASED NEXT WEEK	2
WISHLIST BALLOT DEADLINE IS TUESDAY.....	3
KITS AND ASSEMBLIES FEATURE ADDED TO EPICS	3
IMPROVED 'NON-EXTRUSION' ITEM HANDLING	3
MULTI-PLANT VERSION OF EPICS REVIEWED AT CONFERENCE	4
OTHER IMPROVEMENTS INCLUDED IN THE EPICS V8.12 UPDATE	4
OLD INVOICING SCREEN NOT AVAILABLE IN EPICS V8.12	5
EPICS CUSTOMER LIST.....	6

DESPITE LOWER ATTENDANCE, CONFERENCE A GREAT SUCCESS

The 2009 EPICS User Conference was held April 19-22 in Destin, Florida. To no one's surprise, attendance was down from previous years due to the depressed state of the aluminum extrusion industry. But according to the Comment Sheets submitted by attendees at the end of the conference, the session was very worthwhile to all who participated.

Conference attendees took part in a "Kits and Assemblies" workshop, where they offered suggestions for fine-tuning this feature prior to its release next week.

Pictures from the conference can be viewed [here](#).

2010 CONFERENCE : BACK TO BASICS

Next year's conference is planned for the Dallas/Ft. Worth area in late April. With many economic forecasts predicting that the economy will not be fully recovered by then, we are designing a "Back to Basics" conference. Room rates will be lower and conference fees will be lower, but the outstanding content that you have grown to expect will be as high as ever.

EPICS V8.12 TO BE RELEASED NEXT WEEK

The latest EPICS update, Version 8.12, will be available early next week on the Foy Inc web site. Each EPICS System Administrator will receive email containing a link to the update, along with information on how to download and install it.

As always, the update is available for all EPICS customers who have up-to-date Software Service Policies.

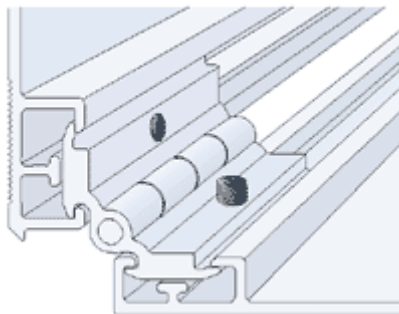
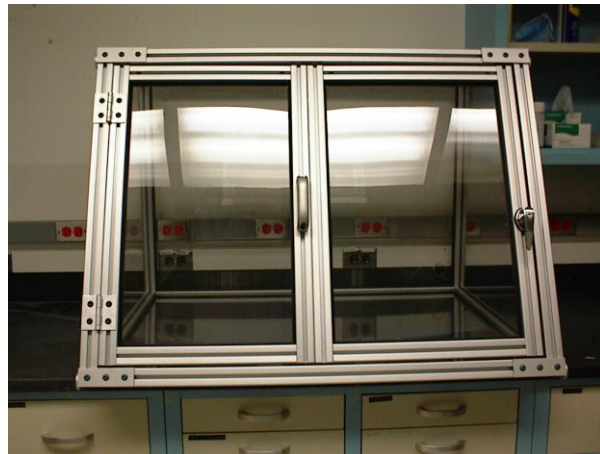
WISHLIST BALLOT DEADLINE IS TUESDAY

If your plant has not yet submitted a Wishlist Ballot, time is rapidly running out. This Tuesday, May 26, is the deadline for submission, so please get your ballot in by then.

KITS AND ASSEMBLIES FEATURE ADDED TO EPICS

For several years, one of the most requested enhancements to EPICS has been the ability to handle kits and assemblies. The capability has now been added, and is available to all EPICS users in the V8.12 update.

Kits and assemblies can be defined in the EPICS Part table, and orders entered against them on the standard Order Entry screen. EPICS will generate workorders for the component parts (or withdraw them from stock,) and the parts can be joined together in the new Assembly department. The final assembly or kit can be packed, shipped, and invoiced in the normal way.



Non-extrusion components can be included in a kit or assembly, and EPICS will maintain inventory and generate purchase orders and receiving reports for those components.

Detailed instructions on this new feature will be in the Help file distributed with the V8.12 update. And Scott will be announcing a Webinar on kits and assemblies later in June.

IMPROVED 'NON-EXTRUSION' ITEM HANDLING

Most EPICS users have been using the "miscellaneous invoicing" feature to track sales of scrap, touchup paint, and other non-extrusion items. As a result of features added for kits and assemblies, there is now a better way to handle these cases.

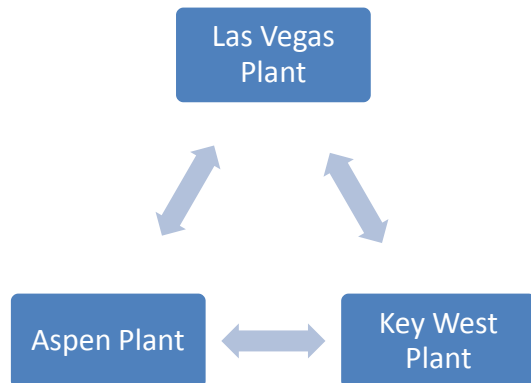
A new 'Category' field has been added to the parts table. Categories of CUSTOMER PART, STANDARD PART, COM PART, and PRICING cover Part

entries that EPICS has always had, while categories of KITS, ASSEMBLIES, and ACCESSORIES cover the new feature described in the previous article.

But the ACCESSORIES category can also be used to create Part records for touch-up paint, buffing pads, or any miscellaneous item you might sell to a customer. And the new category of SCRAP allows you to create Parts for such scrap types as butts, end scrap, and saw chips. Orders for any of these items may be entered, packed, shipped, and invoiced using the normal EPICS procedures.

MULTI-PLANT VERSION OF EPICS REVIEWED AT CONFERENCE

The Multi-plant Version of EPICS was introduced in February in the V8.11 update, but it was still a major point of discussion at the 2009 EPICS User Conference. While this new version is designed mainly for companies with multiple extrusion operations, it also contains features that will benefit plants that have remote finishing or fabrication operations.



If you have a remote finishing plant, or if you are currently running multiple EPICS programs to serve multiple plants, you should call Foy Inc to discuss how the Multi-plant version of EPICS can benefit your operation.

Features of this new EPICS version were described in more detail in the last EPICS newsletter.

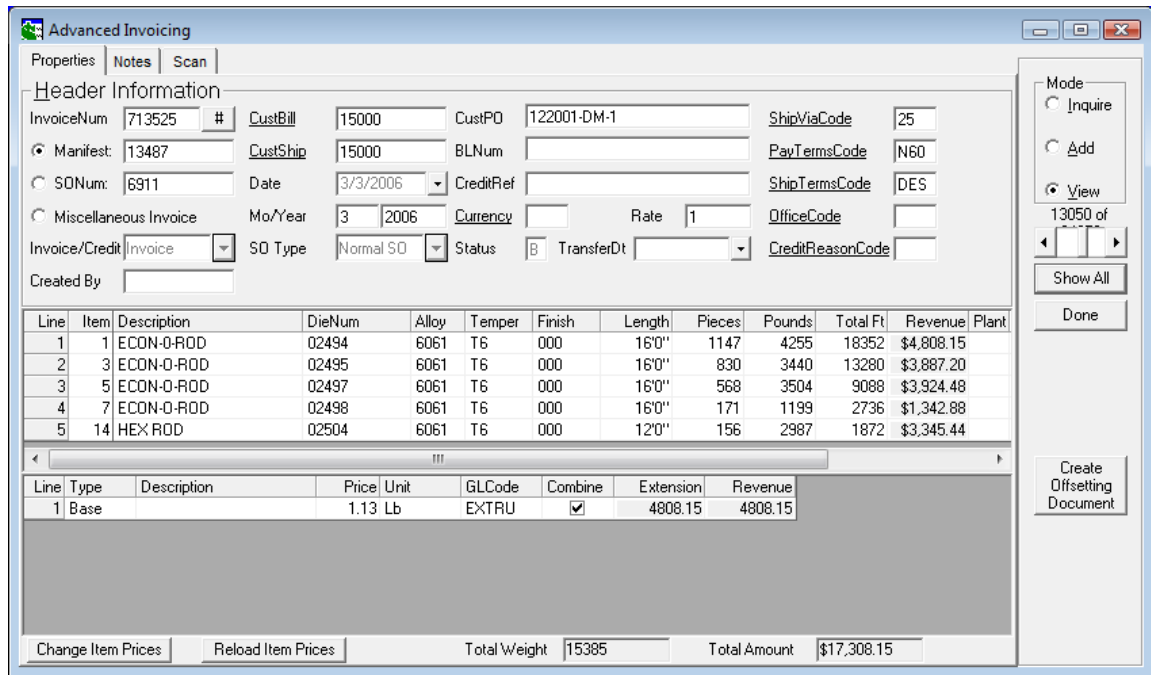
OTHER IMPROVEMENTS INCLUDED IN THE EPICS V8.12 UPDATE

Numerous other enhancements are included in the update to be released next week, including:

- EPICS will now utilize a shorter billet for very small order-items (Recovery will be optimized for the order-item, not the billet)
- User-defined note fields have been added to allow the entry of production notes when posting production.
- When invoicing, if currency conversion rates are changed, the revenue fields are recalculated.
- Inventory fields are now copied from the Rack record to the Ticket record when packing at the press.
- Support has been added for Crystal Reports that reference multiple command objects.

OLD INVOICING SCREEN NOT AVAILABLE IN EPICS V8.12

As we have stated in the last couple of newsletters, the old Invoicing screen is finally disappearing. **Before you upgrade to EPICS V8.12, make sure that your invoicing personnel are using the new improved screen (shown here)**



The Advanced Invoicing screen allows you to see all items on an invoice on one screen, and is similar in appearance and function to the Order Entry screen.

EPICS CUSTOMER LIST

On any given day
EPICS is helping over 12,000 people
at over 80 extrusion plants around the world.

Aacoa Extrusions – Niles, Michigan
Aerolite Extrusion – Youngstown, Ohio
Alenco – Bryan, Texas
Almag Aluminum Inc. – Brampton, Ontario
Altec (Alumnitec). – Jeffersonville, Indiana
Aluminio de Baja California (ABC) – Tijuana, Mexico
Aluminio de Centro America (ALDECA) – San Salvador, El Salvador
Aluminio Del Caribe– San Juan, Puerto Rico
Aluminum Extrusions Inc – Senatobia, Miss.
American Aluminum Extrusions of Ohio – Canton, Ohio
American Aluminum Extrusions of Wisconsin – Beloit, WI
APEL Extrusions Ltd. – Calgary, Alberta
Arch Aluminum – Miami, Florida
Astro Shapes – Struthers, Ohio
Benada Aluminum – Medley, Florida
Bristol Aluminum – Levittown, Pennsylvania
Briteline Extrusions – Summerville, S. Carolina
BRT Extrusions – Niles, Ohio
CanArt – Brampton, Ontario
CanArt – Tecumseh, Ontario
Central Aluminum – Columbus, Ohio
Crane Aluminium Extrusions – Angaston, Australia
Crane Aluminium Extrusions (Capral) – Penrith, Australia
Crown Extrusions, Chaska, Minnesota
Crystal Extrusion Systems – Union, Missouri
Empire Resources – Baltimore, Maryland
Extrudex – Weston, Ontario
Extrudex – Bernières, Quebec
Extrudex – North Jackson, Ohio
FISA – Guayaquil, Ecuador
Frontier Aluminum – Corona, California
Hualum. – Pietermaritzburg, South Africa
Hualum. – Capetown, South Africa
Hualum. – Olifantsfontein, South Africa
Independent Extrusions (INEX) – Hamilton, New Zealand
Independent Extrusions (INEX) – Melbourne, Australia
International Extrusion – Alhambra, California
International Extrusion – Waxahachie, Texas
International Extrusions – Garden City, Michigan
Jalex – Kingston, Jamaica
Keymark Corporation – Fonda, New York
Keymark Corporation – Lakeland, Florida
MI Metals, Inc - Smyrna, Tennessee
MI Metals, Inc – Millersburg, Pennsylvania
MI Metals, Inc – Oldsmar, Florida
MI Metals, Inc – Prescott Valley, Arizona
Mid-America Extrusions – Indianapolis, Indiana
Midwest Aluminum – Withee, Wisconsin
Non-Ferrous Extrusion – Houston, Texas
Oldcastle (Vista Wall Arch. Products) – Midway, Tennessee
Oldcastle (Vista Wall Arch. Products) – Terrell, Texas
Patrick Metals – Mishawaka, Indiana
Pennex – Wellsville, Pennsylvania
Perfiles de Aluminio.– San Juan, Puerto Rico
Postal Aluminum – Cassopolis, Michigan
Postal Aluminum – Portland, Oregon
Pries Enterprises – Independence, Iowa
PT Alumindo Perkasa – Jakarta, Indonesia
PT Indal – Surabaya, Indonesia
Profab Industries – Canfield, Ohio
Profile Extrusions – Rome, Georgia
Profile (RJS Precision Ext.) – Phoenix, Arizona
Selaco Aluminium – Johar, Malaysia
Service Center Metals – Prince George, Virginia
Sierra Aluminum – Fontana, California
Silver City Aluminum -- Taunton, Mass
Sierra Aluminum – Riverside, California
Specialty Extrusion – Fullerton, California
Spectra Aluminum – Woodbridge, Ontario
Star Extruded Shapes, Canfield, Ohio
Superior Extrusion – Gwinn, Michigan
Sun Valley Extrusions – Los Angeles, California
Tecnoglass – Barranquilla, Columbia
Taber Extrusions – Gulfport, Mississippi
Taber Extrusions – Russellville, Arkansas
TAI-AO Aluminium – Taishan, Guang Dong, China
Tifton Extrusions – Tifton, Georgia
Tri-City Extrusion – Bristol, Tennessee
Tubelite – Reed City, Michigan
Vitek – Franklin, New Hampshire
Wakefield Engineering – Pelham, New Hampshire
Western Extrusion – Carrolton, Texas
Zarbana Industries – Columbiana, Ohio

Foy Inc
111 Farmersville Parkway, Suite 100
Farmersville, TX 75442

Phone: 972-782-7282
Fax: 972-782-7130

Website: <http://www.foyinc.com>

Jim Foy jim@foyinc.com
John Stenger john@foyinc.com
Scott Wilson scott@foyinc.com
Stacy Coleman- stacy@foyinc.com
Foley

General mail info@foyinc.com
Help help@foyinc.com

To stop receiving EPICS-related email, send a blank email to unsubscribe@foyinc.com